

# Falcon AF-3 Ethernet Bridging Module



## Features

- 10/100BaseT
- Redundant ATM input
- Full VPI/VCI range
- AAL5 support
- CLIP, Spanning Tree
- Local CPU
- Local storage of configuration parameters
- Hot-Swap and Hot-Plug
- SNMP support



## Application

The Ethernet Bridging Module EBM is used to transmit Ethernet/IP traffic over ATM networks. It supports 10 and 100BaseT connections. Classical IP over ATM (CLIP) and the Spanning Tree algorithm are supported to establish logical subnets on ATM backbones.

The card can be configured using the console port (RS232) or in combination with an installed controller card via Ethernet networks. All configuration parameters are stored locally and non-volatile. The entire function of the module is controlled by the on-board CPU. The firmware is stored in the on-board Flash memory.

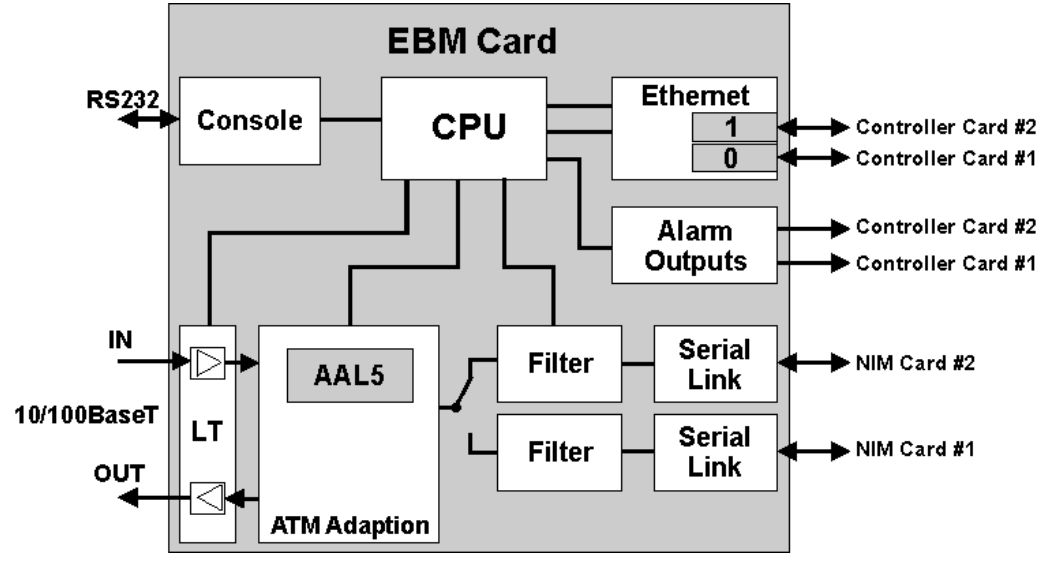
The Ethernet Bridging Module is used to establish up to 16 logical LAN segments on an ATM network. It supports full IP throughput, up to 98 Mbps depending on the Message Transfer Unit (MTU) size of the connected systems.

The card supports hot-plug and hot-swap according to the Compact-PCI specification.



Technical Specification	
CPU	Hitachi SH3 @ 132 MHz
Memory	16MB
Flash Memory	4MB
NVRAM	8kB
Management Interface	Console (RS232) or 10BaseT Ethernet (requires a controller card)
VPI Range	0 to 255
VCI Range	32 to 65535
AAL	AAL5, RFC 2684
Connector	RJ45, patch cable
IP connections	Up to 16 LAN segments, 8k address entries
IP bandwidth	Up to 98 Mbps (depends on MTU size)

**Block Diagram**



**Order Information**

Part-No.:	AF-EBM
Related Products	AF-3RU AF-3RU-AC AF-3RU-DC AF-MUX AF-ASIIN AF-ASIOUT

atecom realizing visions GmbH Pascalstrasse 67 D-52076 Aachen Germany	Phone: +49-2408-9596-0 Fax: +49-2408-9596-900 Email: info@atecom.com Web: <a href="http://www.atecom.com">www.atecom.com</a>
Document: Products\Falcon\AF-EBM.doc Version 1.0 Date 07/07/2005	