

Falcon AF-3 Ring Controller



Features

- Full VPI/VCI range
- Full STM-4 traffic rate support
- Ring Control or network cross connect
- Drop, Pass or Loop Back functions
- Local CPU
- Local storage of configuration parameters
- Hot-Swap and Hot-Plug



Application

The Ring Control card is used as service card in the Falcon product to support ring configurations or in order to connect two different ATM networks.

It supports the traffic forwarding in a ring, the drop function on a destination interface or to activate ring loop backs in case of broken links within a ring.

With the ring controller card the traffic between two network interface modules can be managed. The user can specify to drop or forward all connections or to specify the pass or drop function on dedicated connections. For each connection statistics are available.

Rings with active backup connections in the opposite directions are supported as well as rings with passive, standby ring paths.

The card can be configured using the console port (RS232) or in combination with an installed controller card via the 2 redundant Ethernet. All configuration parameters are stored locally and non-volatile. The entire function of the module is controlled by the on-board CPU. The firmware is stored in the on-board Flash memory.

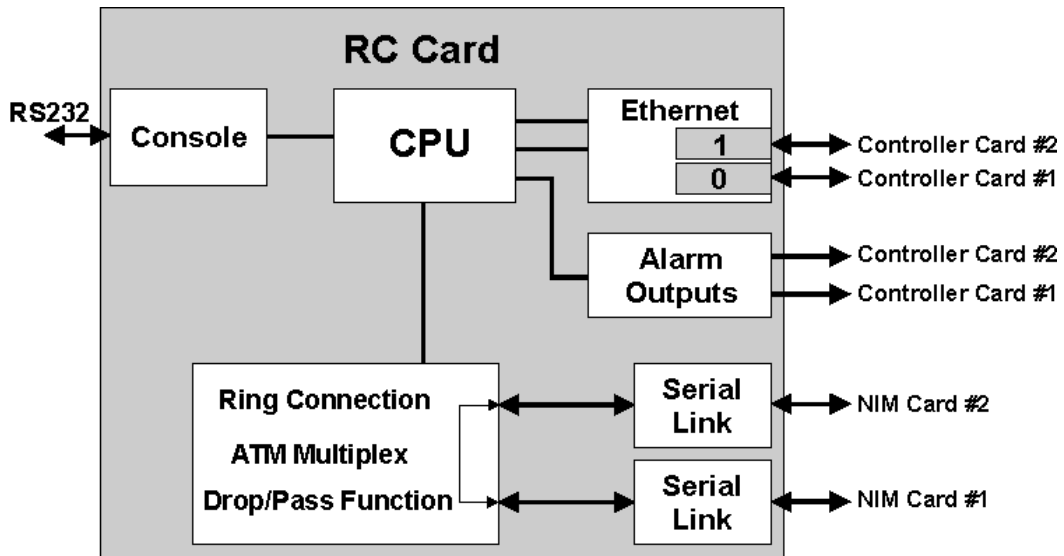
The card supports hot-plug and hot-swap according to the Compact-PCI specification.



Technical Specification

CPU	Hitachi SH3 @ 132 MHz
Memory	16MB
Flash Memory	4MB
NVRAM	8kB
Management Interface	Console (RS232) or 10BaseT Ethernet (requires a controller card)
VPI Range	0 to 255
VCI Range	32 to 65535
Throughput	620 Mbps
Pass Function	Up to 1024 connections
Drop Function	Up to 1024 connections

Block Diagram



Order Information

Part-No.:	AF-RC
Related Products	AF-3RU AF-3RU-AC AF-3RU-DC AF-MUX AF-ASIIN AF-ASIOUT

atecom realizing visions GmbH
 Pascalstrasse 67
 D-52076 Aachen
 Germany

Phone: +49-2408-9596-0
 Fax: +49-2408-9596-900
 Email: info@atecom.com
 Web: www.atecom.com