

# Falcon AF-3

## Quad E3/DS3 TIM



### Features

- 4x E3/DS3 ATM tributary interfaces (software configurable)
- Redundant ATM input (Automatic Protection Switching)
- Full VPI/VCI range
- E3 (G.703) or DS3 (ANSI T1.1071a)
- Line Coding E3: HDB3, DS3: B3ZS
- Modes E3: G.832 ADM, G.751 ADM, G.751 PLCP
- Modes DS3: CBIT ADM, CBIT PLCP, M23 ADM, M23 PCLP
- Local CPU
- Local storage of configuration parameters
- Hot-Swap and Hot-Plug
- SNMP support



### Application

The Quad E3/DS3 service card (TIM) supports 4 ATM E3 or DS3 interfaces. The interfaces can be configured as E3 or DS3 independently via software. Different modes and line coding can be selected.

The module supports PLCP as well as ADM framing.

The Quad TIM card supports Automatic Protection Switching (APS) on every E3/DS3 link. A redundant ATM input can feed the interface. In case one link fails the ATM cell stream is switched automatically to the second link. The incoming E3/DS3 traffic can be sent via two links towards two network interface cards if installed in a Falcon.

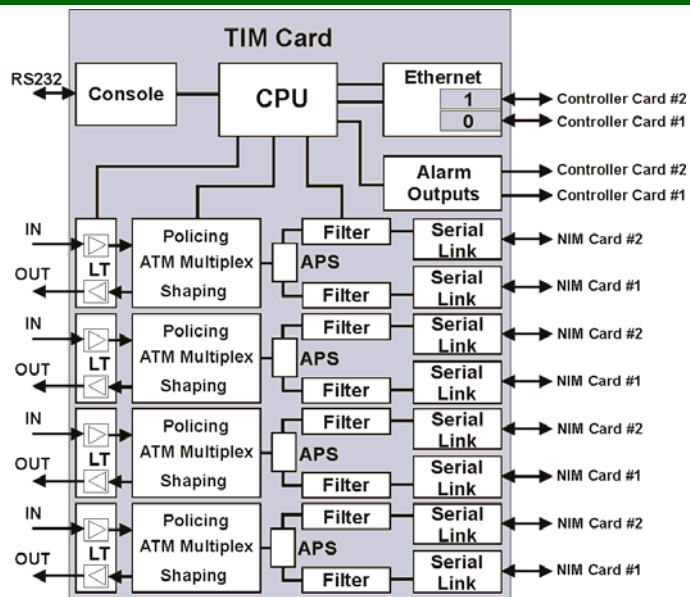
The card can be configured using the console port (RS232) or in combination with an installed controller card via Ethernet networks. All configuration parameters are stored locally and non-volatile. The entire function of the module is controlled by the on-board CPU. The firmware is stored in the on-board Flash memory.

The card supports hot-plug and hot-swap according to the Compact-PCI specification.



Technical Specification	
CPU	Freescale MPC 8245e @ 266 MHz
Memory	64MB
Flash Memory	8MB
NVRAM	512kB
Management Interface	Console (RS232) or 10BaseT Ethernet (requires a controller card)
VPI Range	0 to 255
VCI Range	32 to 65535
Connector	8x MCX
Line Coding E3	HDB3
Line Coding DS3	B3ZS
Framing E3	G.832ADM, G.751ADM, G.751 PLCP
Framing DS3	CBIT ADM, CBIT PLCP, M23 ADM, M23 PLCP

**Block Diagram**



**Order Information**

Part-No.:	AF-TIM + AF-LT-QUADE3 / AF-LT-QUADDS3
Related Products	AF-3RU AF-3RU-AC AF-3RU-DC AF-ASIIN AF-ASIOUT AF-NIM

atecom realizing visions GmbH  
 Pascalstrasse 67  
 D-52076 Aachen  
 Germany

Phone: +49-2408-9596-0  
 Fax: +49-2408-9596-900  
 Email: [info@atecom.com](mailto:info@atecom.com)  
 Web: [www.atecom.com](http://www.atecom.com)