

# **Falcon AF-FAN Fan Unit**



## *Features*

- 10 controlled and monitored fans
- Air intake at the front
- Air outlet on top (designed for ATM Falcon)
- Useable for forced air cooling of other devices
- 1 RU, 19" rack mountable
- Two fan speeds (low and high)
- 2 redundant power supplies units (PSU)
- PSU mixed in any combination (AC/AC, AC/DC, DC/DC)
- 2 redundant alarm outputs



## **Application**

The fan unit AF-FAN is designed as 1 RU device used for forced cooling of the ATM Falcons.

It provides 10 fans which are placed in such a way that the Falcon is cooled in an optimal way. The fan unit can also be used for cooling of other third-party equipment and operates independently of any other device.

The air intake is performed at the entire front panel with 3 changeable dust filters. The air output is on top and pushes the air flow to the bottom of an ATM Falcon.

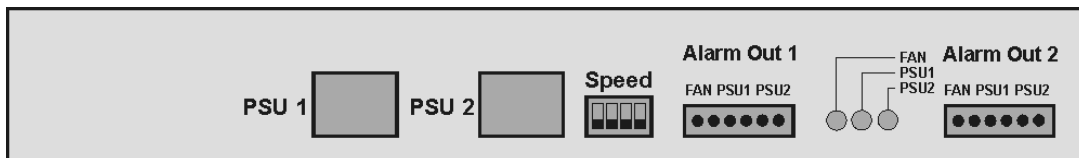
The fans are controlled and monitored. In case of at least one fan failure an alarm is generated and the other fans are rotating with the highest speed in order to guarantee a remaining sufficient air flow. The operation and output voltage of the power supplies is monitored and independent alarms are generated in case of power fail or low voltage.

The alarms are provided at 2 redundant alarm output closures (closing dry contacts in case of alarms or power failure).

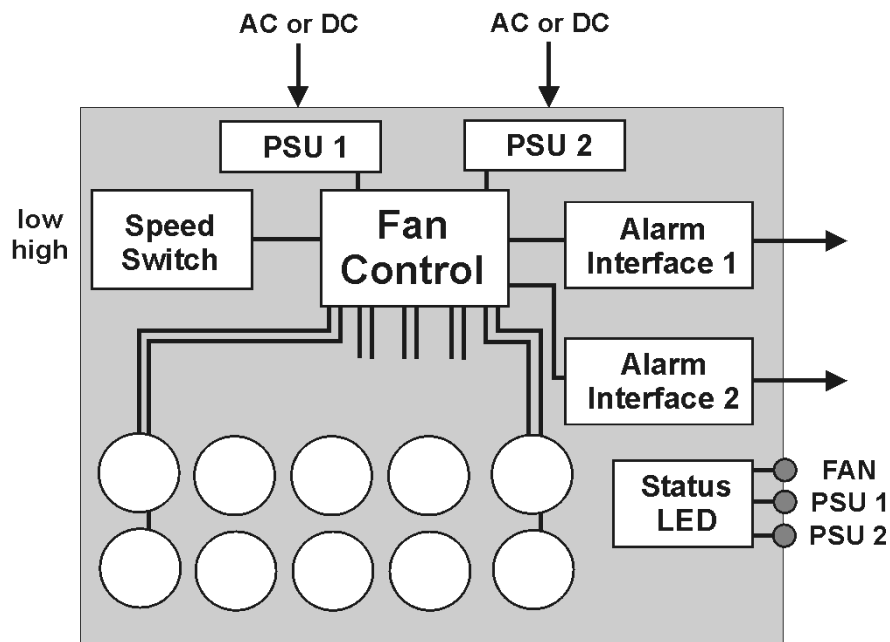
The fan unit can be equipped with 2 power supply units for redundancy and load sharing. The types of the power supplies (AC or DC) can be mixed in any combination.

The speed of the fans and the air flow can be set by an outside DIP switch (low or high). The high speed is recommended for cooling of one ATM Falcon.

Technical Specification	
No. of fans	10
PSU 1	AC or DC
PSU 2	AC or DC
Power consumption	60 VA (max.)
Fan speeds	Low or high
Air intake	At front panel
Air outlet	On the top
Alarm outputs	Fan alarm, PSU1 alarm, PSU2 alarm, each on 2 independent connectors
Alarm closures	closing, 60V, 2A, 60 VA
Dimension	45 mm (H) x 445 mm (W) x 380 mm (D)



**Block Diagram**



**Order Information**

Part-No.:	AF-FAN (AC/AC), (AC/DC) or (DC/DC)
Related Products	AF-3RU AF-3RU-AC AF-3RU-DC AF-MUX AF-ASIIN AF-ASIOUT

atecom realizing visions GmbH  
 Pascalstrasse 67  
 D-52076 Aachen  
 Germany

Phone: +49-2408-9596-0  
 Fax: +49-2408-9596-900  
 Email: [info@atecom.com](mailto:info@atecom.com)  
 Web: [www.atecom.com](http://www.atecom.com)