

Falcon AF-1 & AF-3 Controller Card with IPoA



Features

- Central control & monitoring of the *Falcon* system
- 2 x 10/100BaseT Ethernet
- Supports IPoA (IP over ATM)
- Supports Ethernet Bridging
- SNMPv3 agent
- 4 digital inputs with reference voltage
- 5 alarm outputs (dry contact)
- User configurable alarms conditions
- Local CPU
- Local storage of configuration parameters
- Hot-Swap and Hot-Plug
- RoHS compliant



Application

The SYS-IB card provides central access for control and monitoring of all cards installed in a Falcon system. Furthermore the SYS-IB supports IPoA (RFC 2225) and Ethernet Bridging (RFC 2684) for in-band communication.

While the SYS-IB card is not required for basic operation and function of the system, it provides additional functionalities as needed i.e. for N+1 redundancy solutions or to have access to service cards remotely.

For communication with all other cards within the Falcon, the SYS-IB card uses internal Ethernet links.

The SYS-IB card configures and monitors the Falcon system via SNMP. Firmware upgrades can be performed remotely.

Alarms of other cards are reported to the SYS-IB card via dedicated alarm lines. These alarms, as well as the 4 digital input signals, can be combined by any logical function to build a user defined alarm. For individual control, the alarm contacts and the reconfiguration of the entire system are provided.

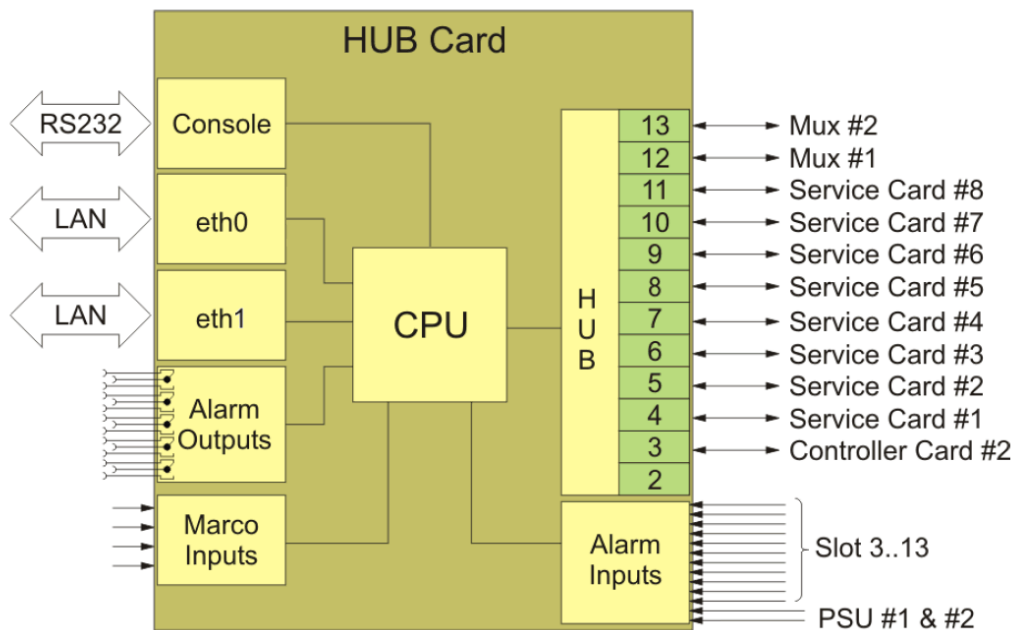
The card can be configured by use of the console port (RS232) or via the Ethernet port. All configuration parameters are stored locally. The entire function of the module is controlled by the on-board CPU. The firmware is stored in the on-board Flash memory.

The card supports hot-plug and hot-swap.



Technical Specification	
CPU	PPC
NAND Flash Memory	256MB
Memory	256MB
Flash Memory	8MB
NVRAM	1MB
Management Interface	Console (RS232) and 2 x 10/100BaseT Ethernet
IP over ATM	IPoA according RFC 2225
Ethernet Bridging	Multiprotocol Encapsulation over ATM according RFC 2684
Digital Inputs	4
Alarm Outputs	5 dry contacts (software programmable)

Block Diagram



Order Information

Part-No.:	AF-SYS-IB
Related Products	AF-3RU AF-3RU-AC AF-3RU-DC

atecom realizing visions GmbH
 Pascalstrasse 67
 D-52076 Aachen
 Germany

Phone: +49-2408-9596-0
 Fax: +49-2408-9596-900
 Email: info@atecom.com
 Web: www.atecom.com