

Birdie DV-1

Bi-directional DVB-ASI to IP Converter



Application



(Picture: Birdie DV-1)

atecom's *Birdie DV-1* IP Adapter enables broadcasters and telecom operators to take advantage of the cost savings in transmission of MPEG compressed video over IP networks.

Birdie DV-1 is designed to serve in modern DVB solutions as reliable and cost effective network adapter for the transparent transport of MPEG transport streams over IP networks using UDP or RTP encapsulation.

The *Birdie DV-1* uses robust adaptive clock recovery, providing a high precise transport stream as required by SFN applications, like DVB-T or DVB-H.

By default, the *Birdie DV-1* adapter offers a 100/1000BaseT electrical network interface for receiving and/or transmitting the IP encapsulated MPEG-TSs. By use of the optional SFP, the *Birdie DV-1* can be directly connected to an 1000BaseX network link. The *Birdie DV-1* supports VLANs according to IEEE 802.1Q (GVRP) and Multicast (GMRP) as well as IGMPv3.

State of the art FEC according to Pro-MPEG CoP3 is as self-evident as conformance to all relevant standards and regulations.

DC power inlet enables the *Birdie DV-1* to be directly connected to an existing uninterruptible power supply (UPS). For AC power sources, an optional AC-PSU is available, serving up to two *Birdie DV-1*.

Birdie DV-1 can be controlled and operated either in-band or out-of-band via the self-explaining build-in web-interface or integrated into an existing management system by using the SNMP protocol.

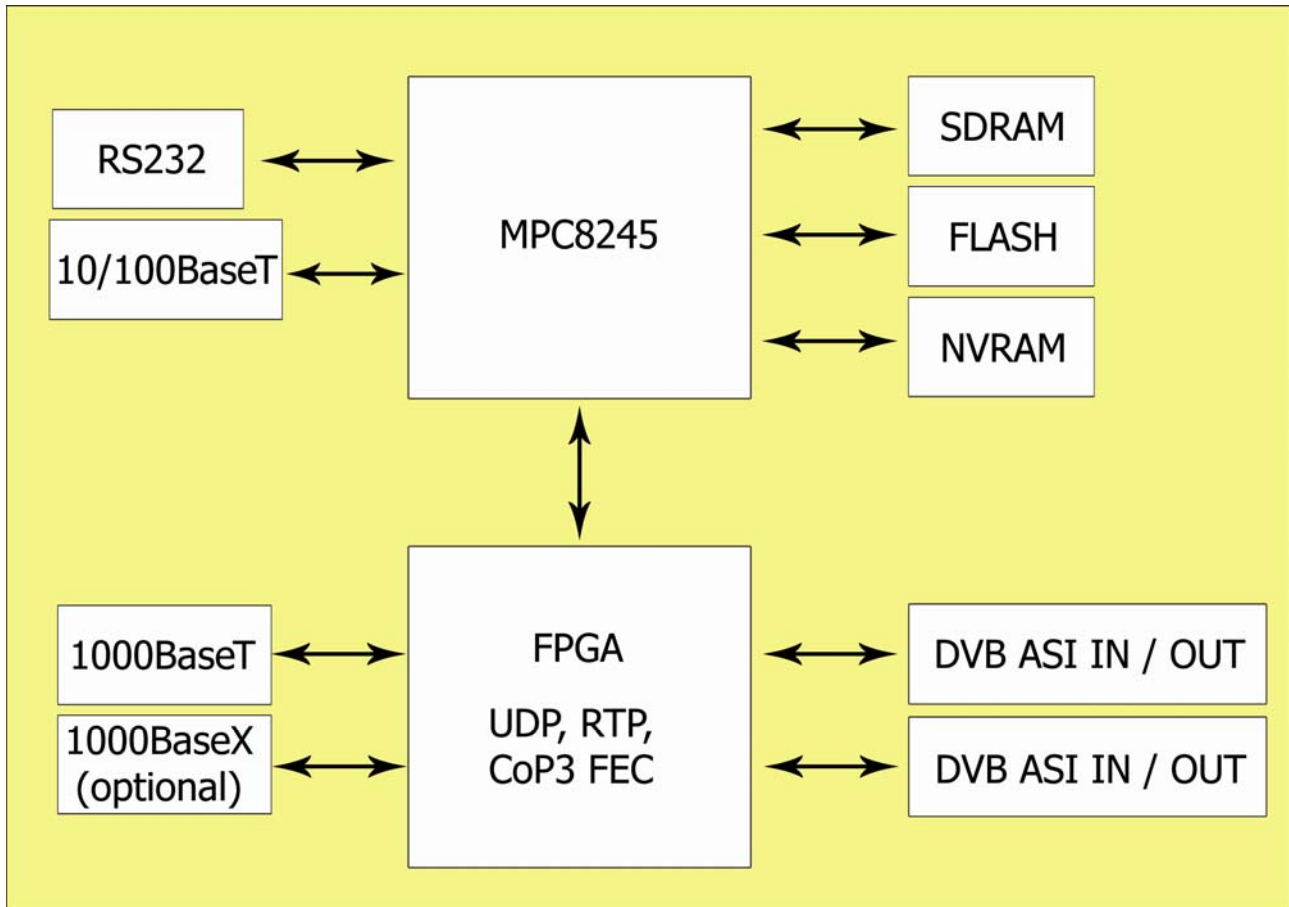
Features

- IP network adapter for 1 or 2 MPEG transport streams (CBR)
- Two bi-directional DVB-ASI ports, user configurable as input or output
- 100/1000BaseT network interface
- Optional 1000BaseX optical network interface
- UDP / RTP encapsulation
- Optional FEC to ProMPEG CoP3
- Adaptive clock recovery with fast locking to Transport Stream
- Compact 1RU, 1/3-19" width enclosure
- Up to 3 units in a 1RU
- DC Power Inlet for use of existing DC power source
- Additional AC PSU available, 1/3 19" for combination with 1 or 2 Birdie DV-1 in a 19" rack
- Management
 - RS232 port
 - 10/100BaseT management interface for out-of-band management
 - SNMPv2 and SNMPv3 support
 - User-friendly Web-Interface



(Picture: 2x Birdie DV-1, 1x AC-PSU, 19" 1U)

Block Diagram Birdie DV-1



Technical Specification Birdie DV-1

Dimensions 19"	19" x 1U x 377 mm (W * H * D), 1 RU, 19" rack mountable
Dimensions stand alone unit	1/3 19" x 1U x 377 mm (W * H * D)
Weight 19"	Max. 2,4 kg
Weight stand alone unit	Max. 0,7 kg
Operation Temperature range	0 to +40°C
Storage temperature range	-40 to +70°C
Relative humidity	+40°C/122°F 95% Relative humidity non-condensing
Altitude	70 to 106 kPa.
Cooling	Forced cooling with air flow from left to right, seen from front, internal fans
Power supply	DC, 18V= to 60V=, max. 25W
Optional AC-PSU	100V~ to 240V ~, 50Hz to 60Hz, max. 60VA
Service Slots	2 DVB-ASI ports per 1/3 19"
Network Slots	100/1000BaseT, RJ45 1000BaseX optical, SFP, optional
IP-Encapsulation	UDP, RDP with or without Pro-MPEG CoP3 FEC
Supported Protocols	GVRP, GMRP, IGMPv3
Management Ethernet Port	10/100BaseT, RJ45
Serial Port	RS232, RJ45
Certificates	CE, FCC, UL, C-Tick, CB, WEEE; RoHS compliant